

# KOLLU PANO KİLİTLERİ

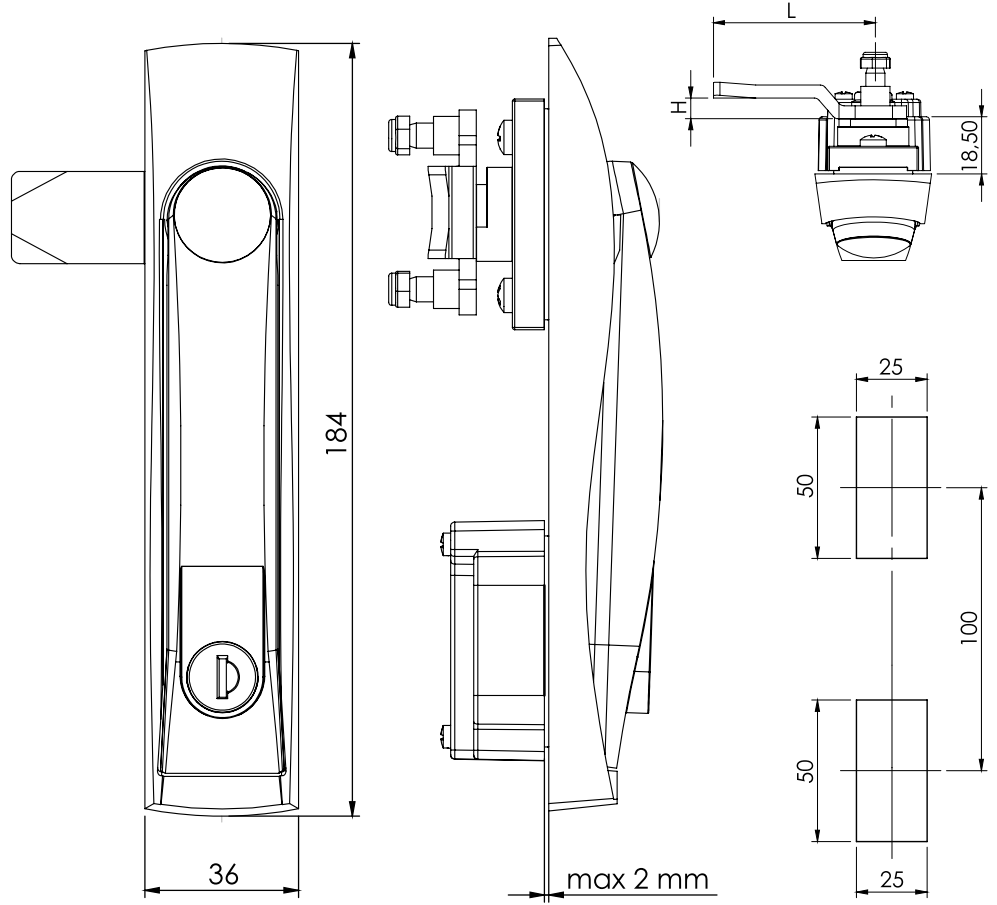
## SWING HANDLES

005-1

Kollu Pano Kilidi / Swing Handle

IP65

L / R



### KULLANIM ALANLARI:

Elektrik Panoları, Makine Kapakları,  
Bilgisayar Kabinleri

### APPLICATIONS:

Electric Panels, Machinery Covers,  
Rack Cabinets

Kod  
Code  
**005-1**

Barel  
Cylinder  
**CC**

Dil  
Cam  
**CM**

MALZEME / MATERIAL	
GÖVDE BODY	Poliamid Polyamide
KOL HANDLE	Poliamid Polyamide
DİL CAM	Çelik Steel
O'RING	Kauçuk Rubber

BAREL / CYLINDER TYPE (CC)		CODE
	Aynı Şifreli / Keyed Alike	01
	Farklı Şifre / Keyed Different	02
	Eurokey (1333)	03

İSP. TIRNAKLI DİLLER / CAMS FOR ROD CONTROL (CM)							
	CODE	03	020	053	054	055	064
	H	8	0	0	12	4	0
	L	49	51	60	54	52	55

BAREL / CYLINDER TYPE (CC)		CODE
04	5 mm / DB	
05	8 mm Kare / Square	
06	9 mm Üçgen / Triangle	
08	10,5 mm Yarım Ay Half Round	

TIRNAKLI DİLLER / CAMS WITH STOPPER (CM)														
	CODE	01	02	05	06	07	08	09	010	019	043	045	046	086
	H	14	24	0	16	6	12	0	7	0	0	4	10	6
	L	48	48	46	46	52	50	54	44	64	44	43	48	62